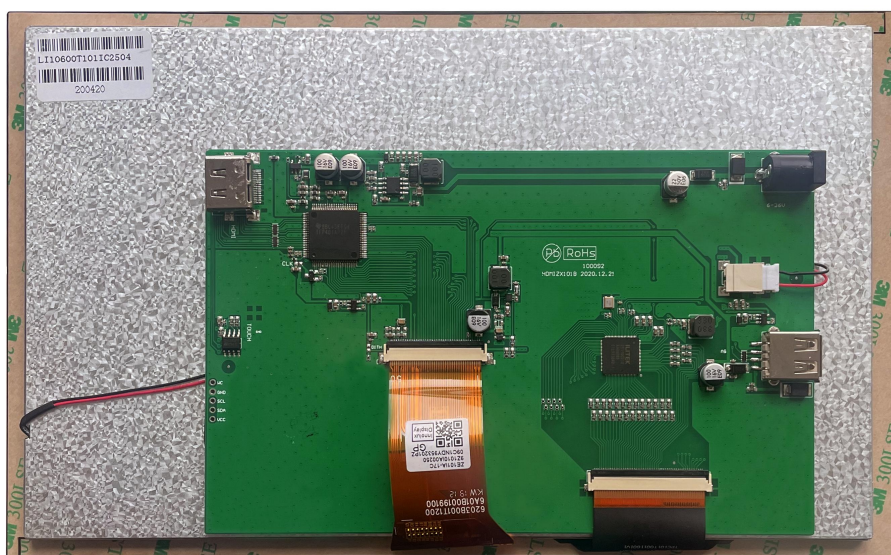


HDW101_001LZ01

10.1 Inch, 1024xRGBx600, 16.7M Colors, IPS screen, CTP



Record of Revision

Ver	Revise Date	Content	Editor
00	2023-06-01	First Edition	Kaya

● Display

Item	Parameter	Description
Color	16.7M(16777216)colors	24 bit color 8R8G8B
Panel Type	IPS	High contrast, good color reproduction, wide viewing angle (typical value is 85/85/85/85)
Viewing Angle	85/85/85/85(L/R/U/D)	-
Active Area (A.A.)	222.70(W)x125.30(H)	1024x600
Resolution	1024x600	-
Backlight	LED	≥20000H (Continuous working with maximum brightness, time of the brightness decays to 50%)
Brightness	300nit	-

Note: Displaying of high-contrast still images for more than 30 minutes may result in residual images. Please add animation to avoid this problem.

● Voltage & Current

Item	Conditions	Min	Typ	Max	Unit
Power Voltage	-	6	12	36	V

● Reliability Test

Item	Conditions	Min	Typ	Max	Unit
Working Temperature	60%RH at 12V voltage	-20	25	70	°C
Storage Temperature	-	-30	25	80	°C
Working Humidity	25°C	10%	60%	90%	RH

● Interface

Item	Conditions	Min	Typ	Max	Unit
Socket	6-36V power interface, HDMI interface				
USB Interface	Yes				
SD Card Slot	None				

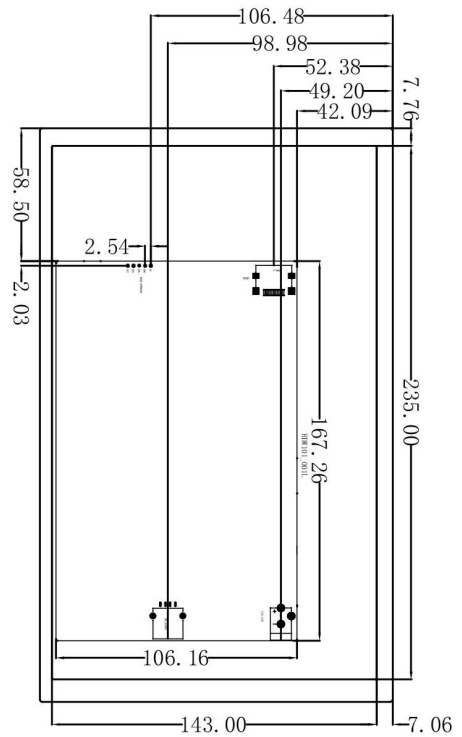
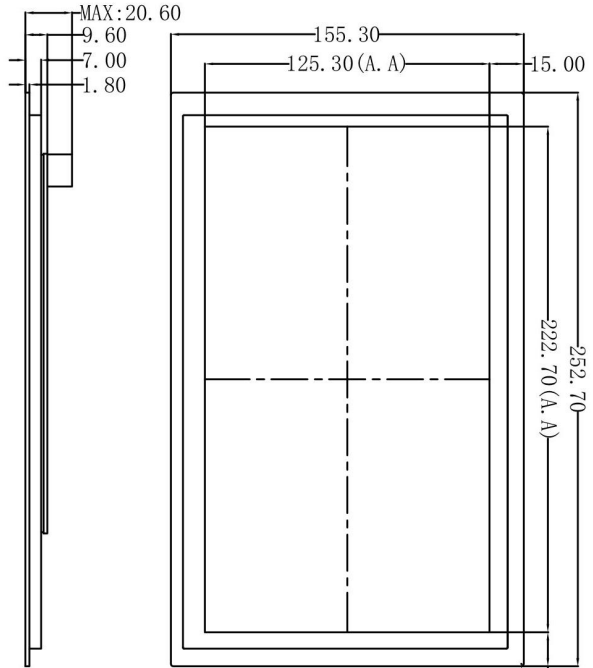
● Peripheral

Peripheral	Capacitive touch panel
------------	------------------------

● Packing Capacity & Dimension

Dimension	
Dimension	252.70(W)x155.30(H)x20.60(T)mm
Net Weight	457g

Disclaimer: The information presented is for information purposes only. The new design changes of the product will be added as time goes by, do not affect performance parameters or use without prior notice.



Name	Description	Name	Description
Pin1	TMS Data2+	Pin11	TMS Clock Shield
Pin2	TMS Data2 Shield	Pin12	TMS Clock-
Pin3	TMS Data2-	Pin13	CEC
Pin4	TMS Data1+	Pin14	HDC Data- (Optional, HDMI 1.4 with Ethernet)
Pin5	TMS Data1 Shield	Pin15	SCD (I2C Serial Clock for DDC)
Pin6	TMS Data1-	Pin16	SMA (I2C Serial Data Line for DDC)
Pin7	TMS Data0+	Pin17	DDC/CEC/HDC Ground
Pin8	TMS Data0 Shield	Pin18	+5V Power (max 50mA)
Pin9	TMS Data0-	Pin19	Hot Plug Detect (All versions) and HDC Data+ (Optional, HDMI 1.4 with Ethernet)
Pin10	TMS Clock+		

Pin Name	definition	Description
VCC	1	+5V
D-	2	Negative pole
D+	3	Positive pole
GND	4	GND

1. Location hole is used as position reference.
 2. Unmarked Tolerance is +/-0.3mm
- Active area is marked in Dash lines

Model	HDMI01_001L		
Drawing	A 4	Drawn	G. Y
Scale	1 : 1	Review	
Unit	MM	Approval	
		Data	
		Data	2021.01.12