

DMG10768T150_40WTC



● System Hardware

Properties	Parameters
Motherboard Level	Industrial-grade
CPU	RK3566, Quad-core ARM Cortex-A55, 1.8GHz Processor
OS	Linux 4.19
Storage	8Gbytes eMMC
RAM	2Gbytes LPDDR4

● Display Parameters

Properties	Parameters	Description
Size	15.0 inch	-
LCD Type	IPS, TFT LCD	-
Viewing Angle	85° /85° /85° /85°	Wide viewing angle, high contrast, and good color reproduction
Active Area (AA)	304.13mm(W)x228.10mm(H)	-
Viewing Area(VA)	305.50mm(W)x 229.50mm(H)	-
Resolution	1024x768	-
Backlight Service Life	>20000 Hrs	Backlight service life refers to the period the LED backlight operates under test conditions until brightness decreases to 50% of the initial level
Brightness	300nit	100-level brightness adjustment (Flickering may occur at 1%-30% of max brightness; not recommended for use in this range)

Note: Use dynamic screen saver to prevent afterimages from prolonged fixed page display.

● Touch Parameter

Properties	Parameters
Touch Type	Capacitive touch panel

● Power Supply

Properties	Min	Typ	Max	Unit
Power Voltage	12.0	12.0	36.0	V

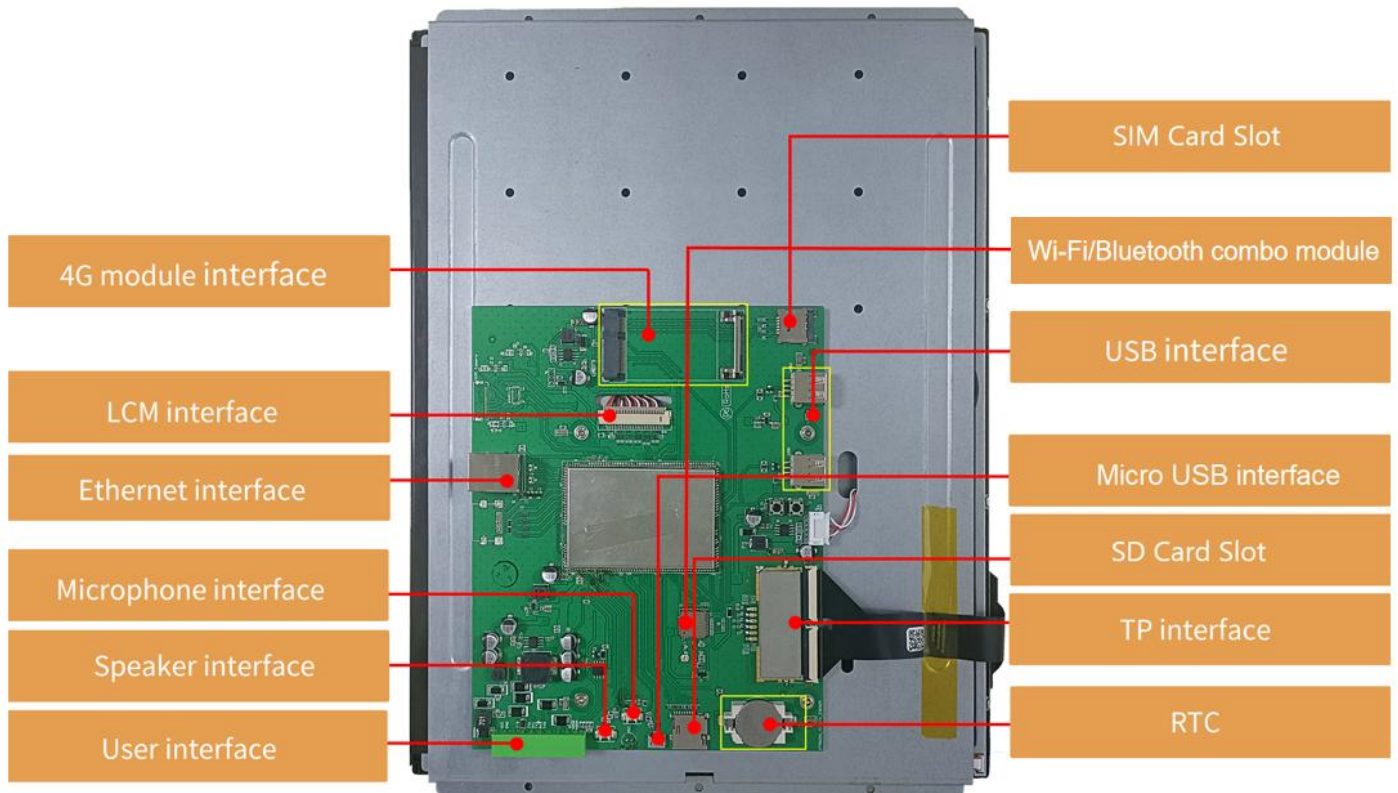
Recommended power supply: 12V 1A DC

● Environment & Reliability Test

Properties	Conditions	Min	Typ.	Max	Unit
Working Temperature	60%RH at 12V voltage	-20	25	70	°C
Storage Temperature	-	-30	25	80	°C
Working Humidity	25°C	10%	60%	90%	RH
Conformal Coating	Y				
ESD	Air: ±8KV, Contact: ±6K				
EFT	Group pulse interference ±2KV				

● **Peripherals and Interfaces**

Properties	Description
User Interface	10Pin_3.81mm Horizontal socket
COM	RS232*2(COM5 & COM9), RS485*1, TTL*1(COM0)
Ethernet	10/100Mbps
USB	USB 2.0*2(HOST), Micro USB*1(OTG)
SD Card	Drawer type card slot (Max 64G)
RTC	Button cell for power supply. Accuracy: $\pm 20\text{ppm @}25^{\circ}\text{C}$
Speaker	2Pin_1.25mm interface*1
Microphone	2Pin_1.25mm interface*1
4G Module	Factory not configured, customizable to add
Camera	USB 2.0 interface
Wi-Fi	IEEE 802.11Bb/g/n, 2.4G, Bluetooth
Bluetooth	4.2GHz



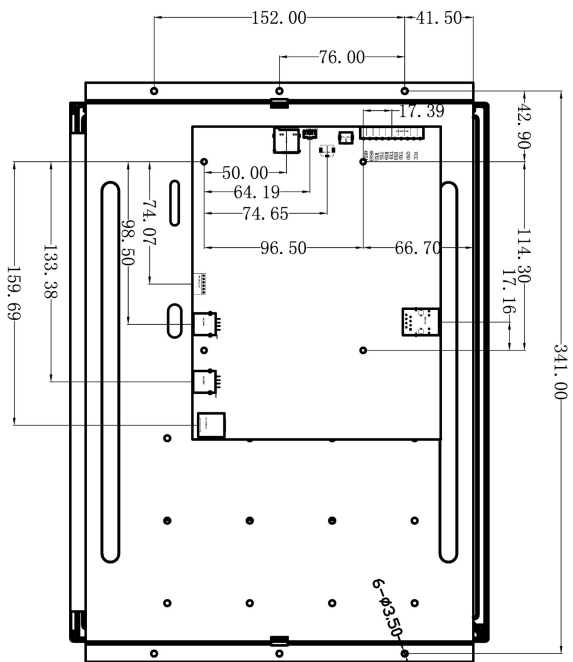
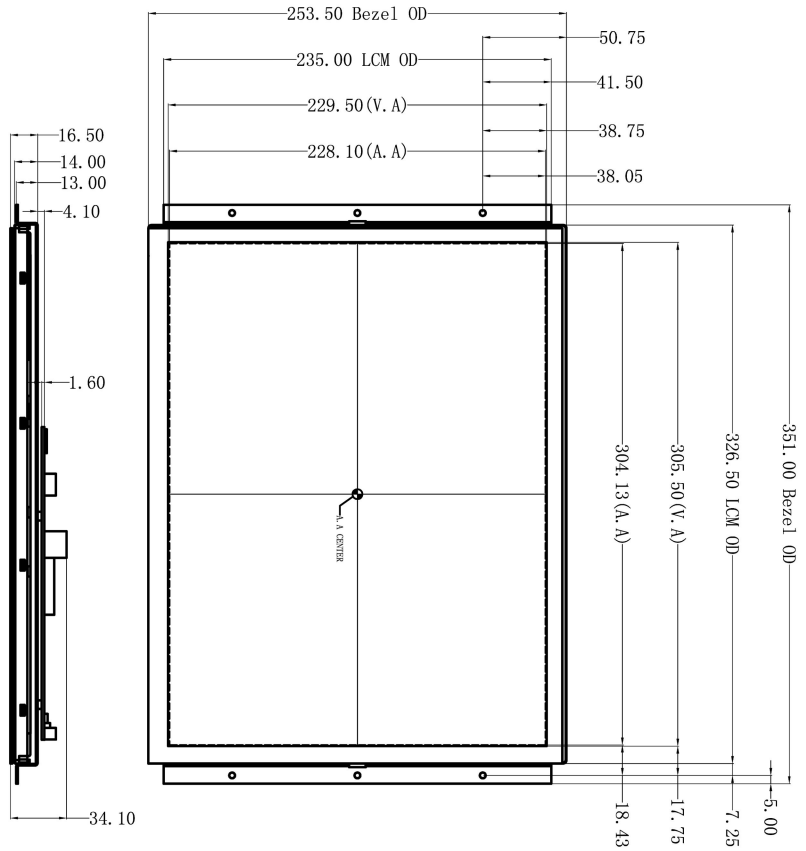
- **Development Platform**

Development	
Linux	QTCreator2.7.2 and above

- **Packing Capacity & Dimension**

Dimension				
Dimension	351.00(W)*253.50(H)*34.10(T)mm			
Net Weight	1430g			
Packing Capacity				
Model	Size	Layer	Quantity/Layer	Quantity(Pcs)
Carton1:	220mm(L)*160mm(W)*47mm (H)	-	-	-
Carton2:	250mm(L)*200mm(W)*80mm (H)	-	-	-
Carton3:	320mm(L)*270mm(W)*80mm (H)	-	-	-
Carton4:	450mm(L)*350mm(W)*300mm(H)	-	-	-
Carton5:	600mm(L)*450mm(W)*300mm(H)	1	10	10

DWIN Technology Technical Document



Definition	Pin#	I/O	Description
VCC	1	P	Power Input
GND	2	P	GND
TX0	3	O	UART 0 Output
RX0	4	I	UART 0 Input
TX9	5	O	UART 9 Output
RX9	6	I	UART 9 Input
TX5	7	O	UART 5 Output
RX5	8	I	UART 5 Input
485B	9	B	RS485-
485A	10	A	RS485+

Location hole is used as position reference.

Unmarked Tolerance is +/-0.3mm

Active area is marked in Dash lines

Model	DMG10768T150_40WTC				
Drawing	A 4	Drawn	DWIN	Date	2023.10.26
Scale	1:1	Review		Date	
Unit	MM	Approval		Date	

DWIN Technologies

Revision Records

Rev	Revise Date	Content	Editor
00	2023-12-19	First edition	YML
01	2025-03-13	Add the description of Bluetooth	Chen

Please contact us if you have any questions about the use of this document or our products, or if you would like to know the latest information about our products:

Customer service Tel: +86-400-018-9008

Customer service E-mail: dwinhmi@dwin.com.cn

Website: www.dwin-global.com

DWIN Developer Forum: <https://forums.dwin-global.com/index.php/forums>

Thank you all for continuous support of DWIN, and your approval is the driving force of our progress!

Important Disclaimer

DWIN reserves the right to make any changes to product designs without prior notice.

Customers should ensure strictly adhering to all the relevant standards and requirements during the product application process, including but not limited to functional safety, information security, and regulatory provisions. DWIN shall not bear any joint and several liability for any consequences that may arise from customers' adoption of DWIN products. In particular, for risks that may lead to significant property losses, environmental hazards, personal injury, or even death, especially in high-risk application areas such as military applications, flammable and explosive places, and life-saving medical equipment, customers should independently assess the risks and take corresponding preventive and protective measures. DWIN shall not bear any relevant responsibility.